

CANADIAN EDITION

Storage and Handling of APA Trademarked Panels

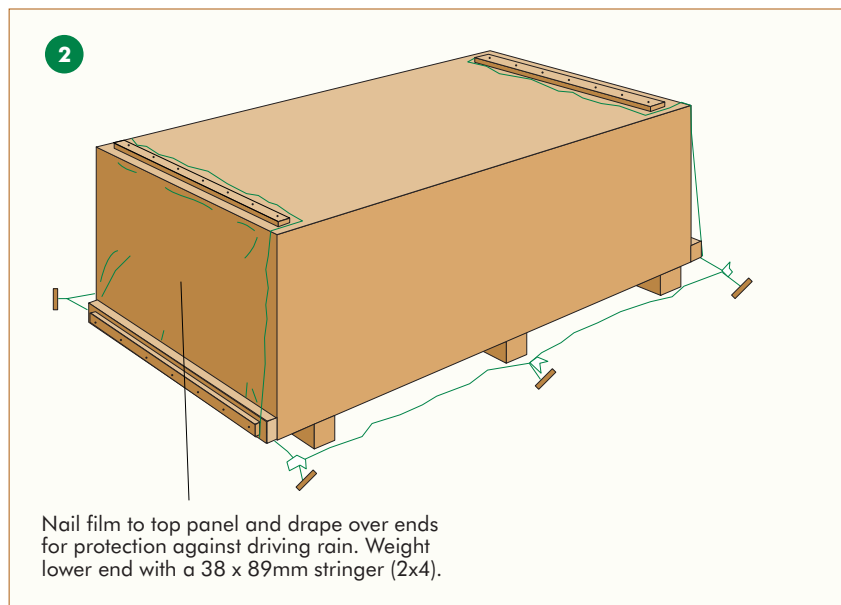
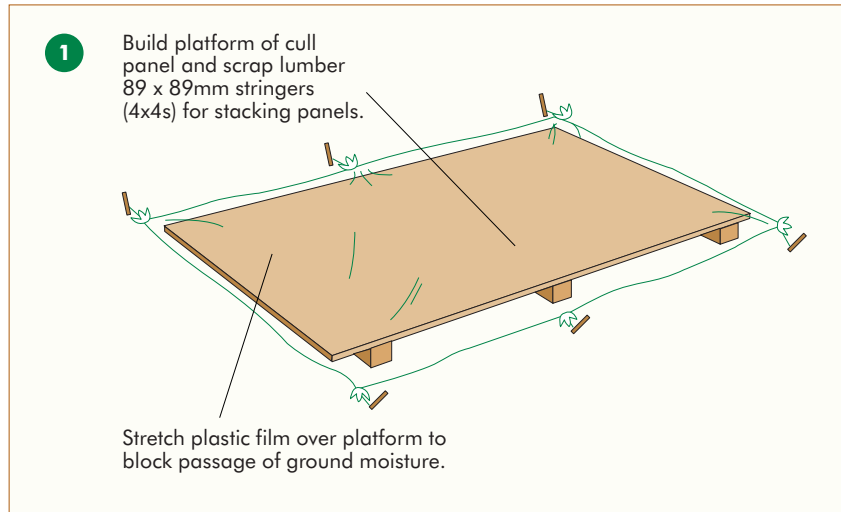


To assure optimum performance, APA trademarked wood structural panels must be stored and handled properly. The following guidelines will help protect panels from damage in storage, during shipment, and on the job site.

Handling in Transit. Take precautions to protect panel ends and edges during shipment, especially with tongue-and-groove and shiplap-edged products. Place panels on pallets or bunks before moving them with a forklift.

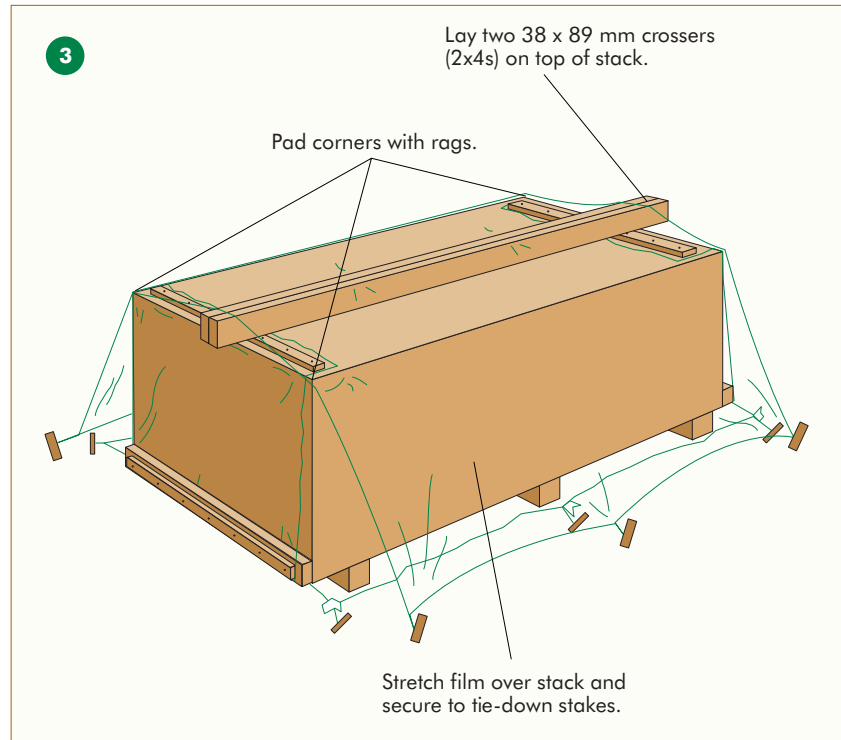
If panels are shipped on open truckbeds, cover them with a tarp. For open railcar shipment, use lumber wrap to keep panels dry and clean.

Storage in the Yard and on the Job Site. Whenever possible, store panels under a roof. Keep sanded panels and appearance-grade products away from high traffic areas to prevent damage to surfaces. Use pieces of lumber to weight down the top panel in a stack to reduce warpage from humidity. If moisture absorption is expected, cut steel bands on bundles to prevent edge damage.



If panels must be stored outside, stack them on a level platform supported by at least three 89 x 89mm stringers (4x4s) to keep them off the ground. Place one 89 x 89mm stringer (4x4) in the center and the other two 305 to 405mm (12 to 16 inches) from the ends. Never leave panels or the platform in direct contact with the ground.

Cover the stack loosely with plastic sheets or tarps. Anchor the covering at the top of the stack, but keep it open and away from the sides and bottom to ensure good ventilation. Tight coverings prevent air circulation and when exposed to sunlight, may promote mold or mildew.



We have field representatives in many major U.S. cities and in Canada who can help answer questions involving APA trademarked products. For additional assistance in specifying engineered wood products, contact us:

APA HEADQUARTERS: 7011 So. 19th St. • Tacoma, Washington 98466 • (253) 565-6600 • Fax: (253) 565-7265

APA PRODUCT SUPPORT HELP DESK: (253) 620-7400 • E-mail: help@apawood.org

DISCLAIMER: *The information contained herein is based on APA – The Engineered Wood Association’s continuing programs of laboratory testing, product research, and comprehensive field experience. Neither APA, nor its members make any warranty, expressed or implied, or assume any legal liability or responsibility for the use, application of, and/or reference to opinions, findings, conclusions, or recommendations included in this publication. Consult your local jurisdiction or design professional to assure compliance with code, construction, and performance requirements. Because APA has no control over quality of workmanship or the conditions under which engineered wood products are used, it cannot accept responsibility for product performance or designs as actually constructed.*

Form No. U450CN

Issued March 2009

